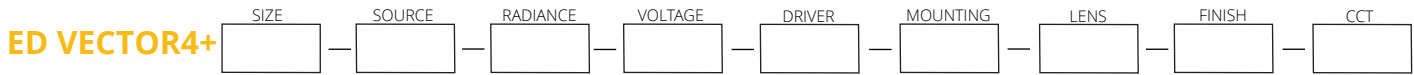


FEATURES:

- ✓ Architectural linear luminaire with direct distribution.
- ✓ Light source: LED board (5.5"/11"/22"/24").
- ✓ Diffused illumination is provided by regressed opal lens.
- ✓ Available for row mounted installations in various lengths.
- ✓ Suitable for recessed, recessed T-Bar installations.
- ✓ Extruded aluminum body comes with black or white finish.
- ✓ Also available with various custom color options.
- ✓ LED Strips are rated for 60,000hrs. L80 with +90 CRI.
- ✓ Has a proven record in office, commercial and retail installations.
- ✓ Custom modifications are available.
- ✓ ED luminaires are certified to CSA and UL Standards.

reinventlight

SPECIFICATION:



Enter the Product Code into the boxes above.

<p>SIZE</p> <p>_____ Feet</p>	<p>SOURCE</p> <p><input type="checkbox"/> 5W/Ft LED</p> <p><input type="checkbox"/> 7W/Ft LED</p> <p><input type="checkbox"/> 10W/Ft LED</p>	<p>RADIANCE</p> <p><input type="checkbox"/> DD - Direct (100%Down)</p> <p><small>*Light Distribution.</small></p>	<p>VOLTAGE</p> <p><input type="checkbox"/> 120V</p> <p><input type="checkbox"/> 277V</p> <p><input type="checkbox"/> 347V*</p> <p><small>*Not available for all configurations.</small></p>	<p>DRIVER</p> <p><input type="checkbox"/> ST - Standard (Non-Dimming)</p> <p><input type="checkbox"/> DL - 0-10V Dimming (1%)</p> <p><input type="checkbox"/> DA - DALI</p> <p><input type="checkbox"/> BT - Bluetooth</p> <p><input type="checkbox"/> <input type="text"/>*</p> <p><input type="checkbox"/> EC - Emergency Circuit</p> <p><input type="checkbox"/> EM - Emergency**</p> <p><small>* Please specify dimming method.</small></p> <p><small>**Battery Pack per 4Feet section.</small></p>	<p>MOUNTING</p> <p><input type="checkbox"/> RS - Recessed</p> <p><input type="checkbox"/> RB - Recessed T-Bar</p>
<p>LENS</p> <p><input type="checkbox"/> OR - Opal Regressed</p>	<p>FINISH</p> <p><input type="checkbox"/> BK - Black</p> <p><input type="checkbox"/> WH - White</p> <p><input type="checkbox"/> CF - Custom <input type="text" value="RAL#"/></p>	<p>CCT</p> <p><input type="checkbox"/> 30K/90CRI - 3000Kelvin</p> <p><input type="checkbox"/> 35K/90CRI - 3500Kelvin</p> <p><input type="checkbox"/> 40K/90CRI - 4000Kelvin</p> <p><input type="checkbox"/> RGBW</p> <p><input type="checkbox"/> TW - Tunable White** (2700K-6500K)</p> <p><small>*Other options are available.</small></p> <p><small>**Available with 0-10V,Dali or Bluetooth controls.</small></p>	<p>OPTIONS</p> <p><input type="checkbox"/> No Options*</p> <p><input type="checkbox"/> DR - Damp Rated</p> <p><input type="checkbox"/> DOS - Daylight & Occupancy Sensor</p> <p><small>*Leave Empty.</small></p> <p><small>**Combination example (DR/DOS).</small></p>		

LUMEN OUTPUT W/Ft:

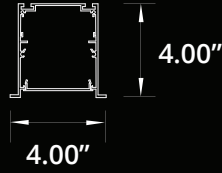
Watts	30K	35K	40K
5W	515 lm	525 lm	535 lm
7W	720 lm	735 lm	750 lm
10W	1030 lm	1050 lm	1080 lm



Project:

Type:

SIZE:



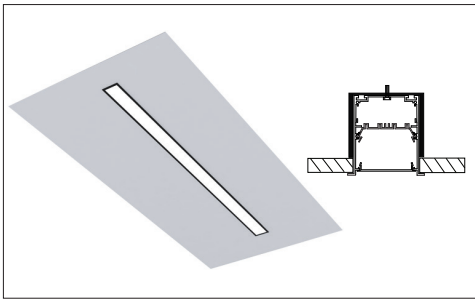
Size	L(CUTOUT)	L1(T-BAR)
1 Foot	11.825 Inch	11.75 Inch
2 Feet	24.575 Inch	23.75 Inch
3 Feet	35.572 Inch	35.75 Inch
4 Feet	48.322 Inch	47.75 Inch
5 Feet	59.325 Inch	59.75 Inch
6 Feet	72.075 Inch	71.75 Inch
7 Feet	83.075 Inch	83.75 Inch
8 Feet	95.822 Inch	95.75 Inch

RADIANCE:

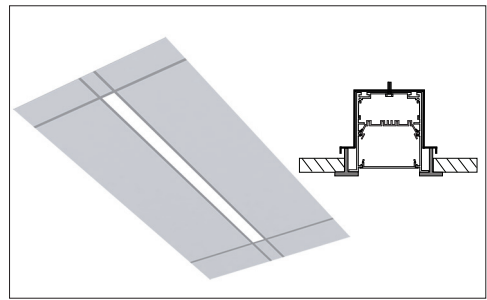
DIRECT DISTRIBUTION



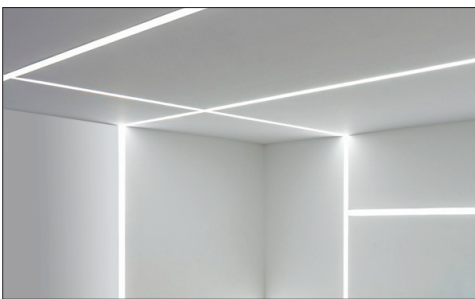
MOUNTING:



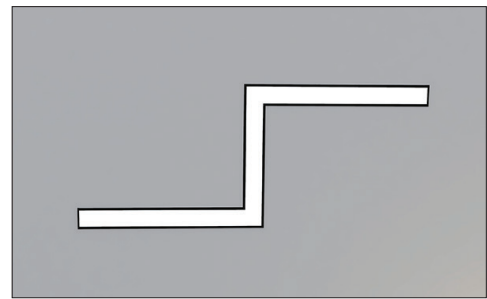
RECESSED



RECESSED T-BAR



90° IN (WALL TO CEILING)



90° LEFT/90° RIGHT