
FEATURES:

- ✓ Architectural Y-shaped luminaire with direct lighting distribution.
- ✓ Light source: LED board 11".
- ✓ Dark Optic provides superior lighting distribution with precise low glare illumination.
- ✓ Offered with Regular 50°/10UGR or Flood 80°/15UGR internal optic.
- ✓ Suitable for surface, suspended and recessed installations.
- ✓ Extruded aluminum body comes with black or white finish.
- ✓ LED Strips are rated for 60,000hrs. L80 with +90 CRI.
- ✓ Has a proven record in office, commercial and retail installations.
- ✓ Custom modifications are available.
- ✓ ED luminaires are certified to CSA and UL Standards.

reinventlight

SPECIFICATION:
ED TRIAD+
 - - - - - - - - - -

Enter the Product Code into the boxes above.

TYPE

-
- DO - Dark Optic

SIZE

-
- 2x2x2 Feet
-
-
- 3x3x3 Feet
-
-
- 4x4x4 Feet
-
-
-
- *

* Specify required length.

SOURCE

-
- 25WLED
-
-
- 50WLED
-
-
- 75WLED*

* Available for 3 & 4 Feet.

RADIANCE

-
- DD - Direct (100%Down)

*Light Distribution.

VOLTAGE

-
- 120V
-
-
- 277V
-
-
- 347V*

*Not available for all configurations.

DRIVER

-
- ST - Standard (Non-Dimming)
-
-
- DL - 0-10V Dimming (1%)
-
-
- DA - DALI
-
-
-
- *

* Please specify dimming method.

MOUNTING

-
- S4-Suspension 4Feet
-
-
- S6-Suspension 6Feet
-
-
- S
-
- Feet*
-
-
- SF - Surface Mount
-
-
- RT - Recessed Trimless

*Please specify required Length.

REFLECTOR

-
- WH - White
-
-
- BK - Black
-
-
- SL - Silver

LENS

-
- RB - Regular 50°
-
-
- FB - Flood 80°

FINISH

-
- BK - Black
-
-
- WH - White
-
-
- CF - Custom
-
- RAL#

CCT

-
- 30K/90CRI - 3000Kelvin
-
-
- 35K/90CRI - 3500Kelvin
-
-
- 40K/90CRI - 4000Kelvin

LUMEN OUTPUT:

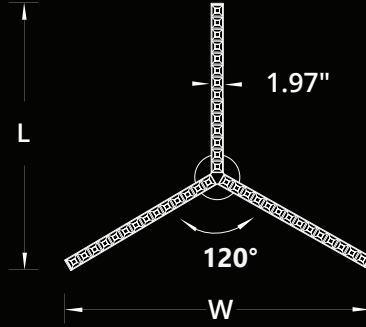
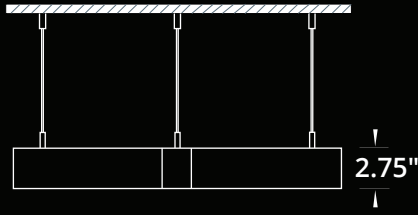
Watts	30K	35K	40K
25W	3570 lm	3660 lm	3750 lm
50W	5800 lm	5950 lm	6100 lm
75W	8825 lm	9025 lm	9225 lm



Project:

Type:

SIZE:



Size	L x W
2x2x2 Feet	34.970 x 40.380 Inch
3x3x3 Feet	51.460 x 59.420 Inch
4x4x4 Feet	67.940 x 78.460 Inch

RADIANCE:

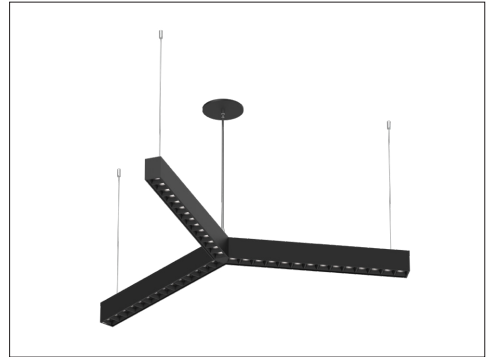
DIRECT DISTRIBUTION



MOUNTING:



SURFACE MOUNT



SUSPENDED



WALL MOUNT



RECESSED TRIMLESS