

## FEATURES:

- ✓ Architectural linear luminaire with direct or direct/indirect distribution.
- ✓ Light source: LED board (5.5"/11"/22"/24").
- ✓ Even illumination is provided by regressed opal lens.
- ✓ Available for row mounted installations in various lengths.
- ✓ Suitable for surface, suspended and recessed trimless installations.
- ✓ Extruded aluminum body comes with black or white finish.
- ✓ Also available with various custom color options.
- ✓ LED Strips are rated for 60,000hrs. L80 with +90 CRI.
- ✓ Has a proven record in office, commercial and retail installations.
- ✓ Custom modifications are available.
- ✓ ED luminaires are certified to CSA and UL Standards.

reinventlight

## SPECIFICATION:

ED VECTOR2+  SIZE —  SOURCE —  RADIANCE —  VOLTAGE —  DRIVER —  MOUNTING —  LENS —  FINISH —  CCT —  OPTIONS

Enter the Product Code into the boxes above.

### SIZE

\_\_\_\_\_ Feet

### SOURCE

- 5W/Ft LED
- 7W/Ft LED
- 10W/Ft LED

### RADIANCE

- DD - Direct (100%Down)
- UD - Uneven(70%Down/30%Up)\*\*

\*Light Distribution.  
\*\*Suspended Configuration only.

### VOLTAGE

- 120V
- 277V
- 347V\*

\*Not available for all configurations.

### DRIVER

- ST - Standard (Non-Dimming)
- DL - 0-10V Dimming (1%)
- DA - DALI
- BT - Bluetooth
- \*
- EC - Emergency Circuit
- EM - Emergency\*\*

\* Please specify dimming method.  
\*\*Battery Pack per 4Feet section.

### MOUNTING

- S4-Suspension 4Feet
- S6-Suspension 6Feet
- S  Feet\*
- WM - Wall Mount
- WF - Wall Flush
- SF - Surface Mount
- RT - Recessed Trimless

\*Please specify required Length.

### LENS

- OR - Opal Regressed

### FINISH

- BK - Black
- WH - White
- CF - Custom  RAL#

### CCT

- 30K/90CRI - 3000Kelvin
- 35K/90CRI - 3500Kelvin
- 40K/90CRI - 4000Kelvin
- RGBW\*
- TW - Tunable White\*\*  
(2700K-6500K)

\*Available with Dali, DMX or Bluetooth controls.  
\*\*Available with 0-10V,Dali or Bluetooth controls.

### OPTIONS

- No Options\*
- DR - Damp Rated
- DC - Dual Circuit\*\*
- DOS - Daylight & Occupancy Sensor

\*Leave Empty.  
\*\*Down /Up Control separately.  
\*\*\*Combination example (DR/DOS).

## LUMEN OUTPUT W/Ft:

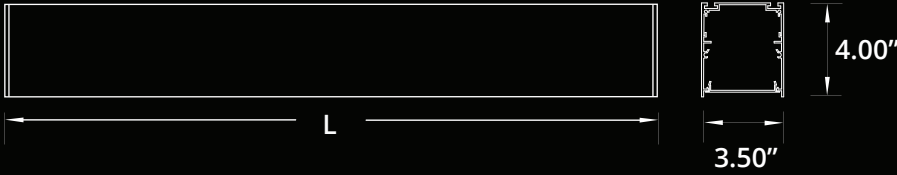
| Watts | 30K    | 35K     | 40K     |
|-------|--------|---------|---------|
| 5W    | 515 lm | 525 lm  | 535 lm  |
| 7W    | 720 lm | 735 lm  | 750 lm  |
| 10W   | 1030lm | 1050 lm | 1080 lm |



Project:

Type:

**SIZE:**



| Size   | L (LENGTH) |
|--------|------------|
| 1 Foot | 11.75 Inch |
| 2 Feet | 24.50 Inch |
| 3 Feet | 35.50 Inch |
| 4 Feet | 48.25 Inch |
| 5 Feet | 59.25 Inch |
| 6 Feet | 72.00 Inch |
| 7 Feet | 83.00 Inch |
| 8 Feet | 95.75 Inch |

**RADIANCE:**

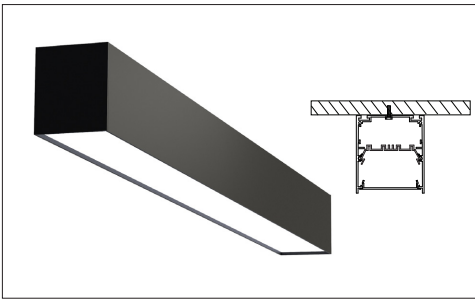
**DIRECT DISTRIBUTION**



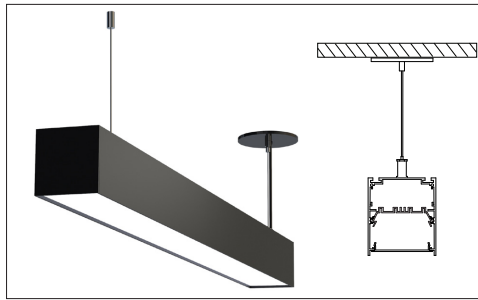
**UNEVEN DISTRIBUTION**



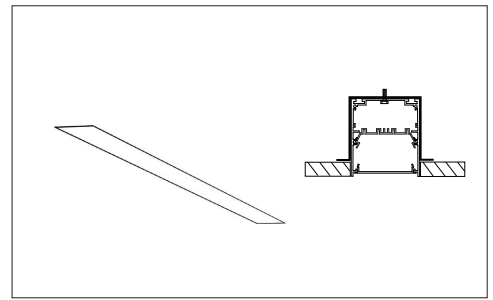
**MOUNTING:**



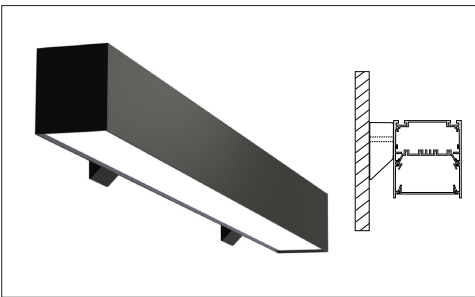
**SURFACE MOUNT**



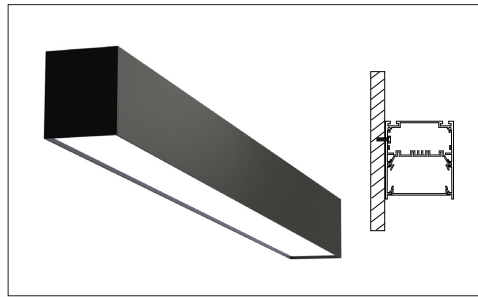
**SUSPENDED**



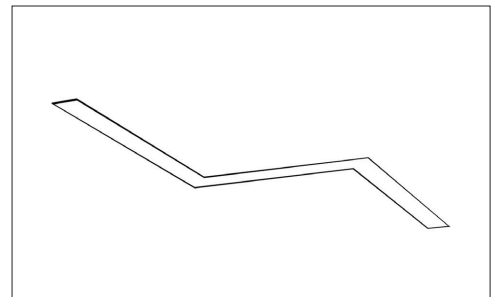
**RECESSED TRIMLESS**



**WALL MOUNT**



**WALL FLUSH**



**90° LEFT/90° RIGHT**