



FEATURES:

- Architectural luminaire with direct lighting distribution.
- Light source: LED Strip or optional LED Tape.
- The diffuse illumination is provided by frosted opal lens.
- Available in various standard or custom sizes.
- Suitable for suspended installations.
- Offered with integrated or remote driver.
- Aluminum body is available in white, black or grey finish.
- LED's are rated for 60,000hrs. L70 with +85CRI.
- Standard suspension length is 96 Inches.
- Custom modifications are available.
- ED luminaires are certified to CSA and UL standards.

SPECIFICATION: ED SQUARE+

SIZE*	SOURCE	VOLTAGE	DRIVER	MOUNTING	LENS	FINISH	CCT
2x2	5W/Ft LED	120V	ST - Standard	SS - Suspended	OP - Opal	WH - White	30K - 3000Kelvin
3x3	7W/Ft LED	277V	DL - 0.10V Dimming			BK - Black	35K - 3500Kelvin
4x4		347V**	DM - Dimming***			GR - Grey	40K - 4000Kelvin
5x5							

* Custom sizes are available.

** Not available for all configurations.

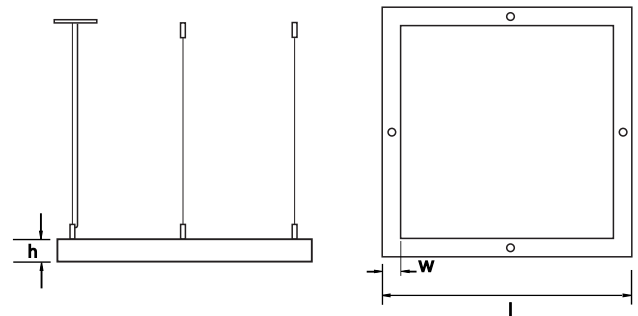
*** Please specify dimming requirements.

DIMENSIONS:

Width: 1 15/16"

Height: 2 3/4"

Length: 24 3/4" / 36 1/4" / 47" / 58 3/4"



LUMEN OUTPUT W/Ft:

Watts	30K	35K	40K
5W	485 lm	500 lm	515 lm
7W	680 lm	700 lm	720 lm

Project:

Type:

Edison Lighting Group Ltd.

1303 Ringwell Dr. Unit #2, Newmarket, ON L3Y 8T9

Tel: 905-830-0339 or 1-800-667-9281 Fax: 905-898-6439 or 1-800-667-9302

www.edisonlighting.ca info@edisonlighting.ca