



FEATURES:

- Architectural LED panel with soft direct lighting distribution.
- Light source: LED Tape.
- PMMA acrylic diffusor is sealed in to the ultra slim extruded aluminum frame in white finish.
- Suitable for suspended installations.
- Integrated driver is mounted in steel round enclosure.
- LED's are rated for 60,000hrs. L70 and +85CRI.
- Has a proven record in office, commercial and retail applications.
- Custom modifications are available.
- ED luminaires are certified to CSA and UL standards.

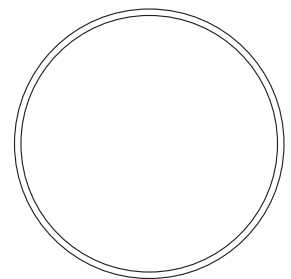
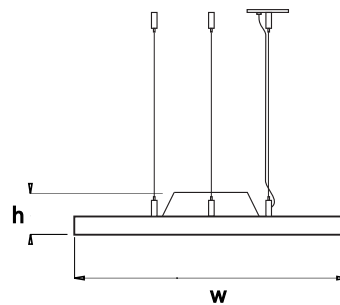
SPECIFICATION: Ø ED SKY+

SIZE	SOURCE	VOLTAGE	DRIVER	MOUNTING	FINISH	CCT
Ø 22"	35W LED	120V	ST - Standard	SS - Suspended	WH - White	30K - 3000Kelvin
Ø 32"	70W LED	277V	DL - 0.10V Dimming			35K - 3500Kelvin
		347V*	DM - Dimming**			40K - 4000Kelvin

- * Not available for all configurations.
 ** Please specify dimming requirements.

DIMENSIONS:

Width: 22 1/2" / 32 1/4"
 Height: 3 1/4"



LUMEN OUTPUT:

Watts	30K	35K	40K
35W	2730 lm	2800 lm	2870 lm
70W	5460 lm	5600 lm	5740 lm

Project:

Type:

Edison Lighting Group Ltd.

1303 Ringwell Dr. Unit #2, Newmarket, ON L3Y 8T9
 Tel: 905-830-0339 or 1-800-667-9281 Fax: 905-898-6439 or 1-800-667-9302
 www.edisonlighting.ca info@edisonlighting.ca