

FEATURES:

- Architectural luminaire with direct lighting distribution.
- Light source: LED Strip.
- Diffused illumination is provided by high efficiency opal insert.
- Sleek body of the luminaire combines two aluminium sides with laser cut metal top enclosure.
- Suitable for suspended installations.
- Optional ceiling canopy is available for remote driver.
- LED Strips are rated for 60,000hrs. L70 and +85CRI.
- Has a proven record in office and commercial installations.
- Custom modifications are available.
- ED luminaires are certified to CSA and UL standards.

SPECIFICATION: ED CURVE+

SIZE	SOURCE	VOLTAGE	DRIVER	MOUNTING	FINISH	CCT
40"	20W LED	120V	ST - Standard	SS - Suspended	WH - White	30K - 3000Kelvin
50"	30W LED	277V	DL - 0.10V Dimming		GR - Grey	35K - 3500Kelvin
		347V*	DM - Dimming**		BK - Black	40K - 4000Kelvin

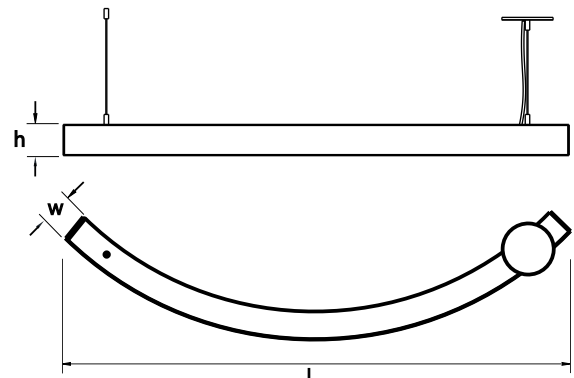
* Not available for all configurations.
 ** Please specify dimming requirements.

DIMENSIONS:

Length: 41 1/4"/49 1/3"
 Width: 1 15/16"
 Height: 2 1/2"

LUMEN OUTPUT W/Ft:

Watts	30K	35K	40K
20W	2070lm	2125lm	2180lm
30W	3065lm	3150lm	3235lm



Project:

Type:

Edison Lighting Group Ltd.

1303 Ringwell Dr. Unit #2, Newmarket, ON L3Y 8T9

Tel: 905-830-0339 or 1-800-667-9281 Fax: 905-898-6439 or 1-800-667-9302

www.edisonlighting.ca info@edisonlighting.ca