



Installation Instructions

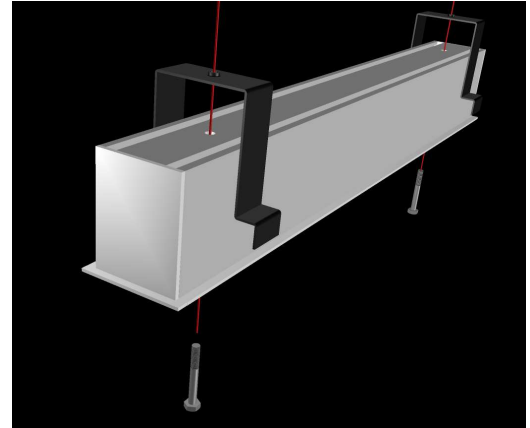
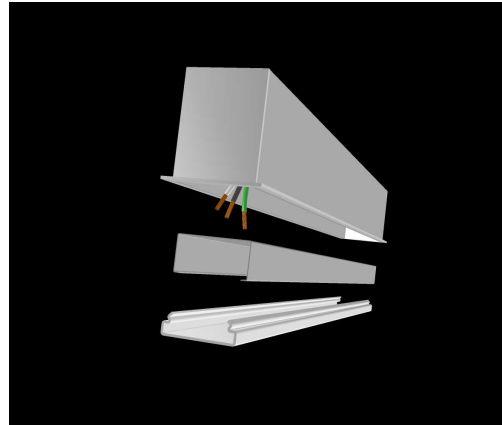
for Recessed T Bar Mount Linear Extrusion

1.

Install as per Electrical Code by a certified Electrician.

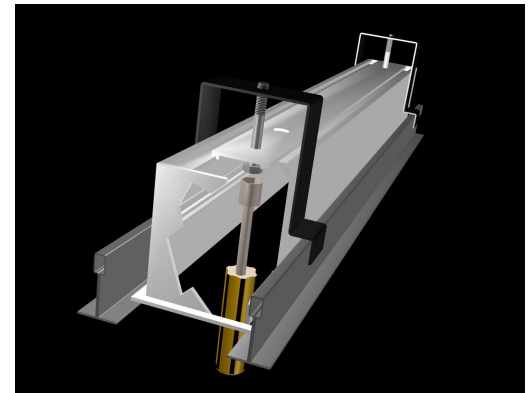
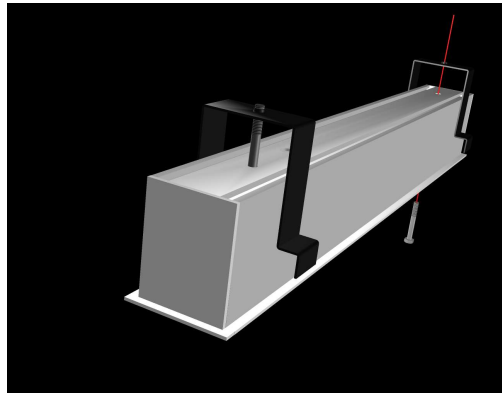
2.

Remove lens and LED plate from fixture to access hole for attaching support bracket. Install brackets on top of the fixture.



3.

Insert the bolts and thread into brackets. Adjust height by tightening the head of the bolt from underneath so the fixture is flush to the T Bar.



4.

Install power feed to the fixture and secure with BX connector. Use braided metal cable housing. Insert LED plate and lens into fixture. Test fixture and use best practices for installation.

